

# CURRENT

*Luxury*

## Dealer Product Guide





# REVOLVE FEATURES



## EASY INSTALLATION WITH BRACKET ADJUSTMENT AND FORGIVING ROD PLACEMENT

Rod bracket plates include the ability for easy adjustment during installation. The bracket arms themselves are designed for the rod to snap in for a no-slip, straightforward rod installation.



## INNOVATIVE "NO-WAVER" RING DESIGN

A groundbreaking egg-shaped ring design prevents any "wavering" of the rings as they traverse along the rod, reducing noise and increasing visual appeal. Rings include a feature where a bead chain can snap in, allowing for a "ripple" look with a flat panel or rod top curtain.



## DUAL RODS ONLY REQUIRE A SINGLE CONTROL BOARD & POWER SUPPLY

In dual applications, only one control board is needed, and it is housed in the Sensor Box. Motors from both rods connect directly into the Sensor Box for control and power through the single power supply.



## MANUAL AND MOTORIZED OPTIONS

Revolve rods are available in three shapes: formed, fluted, and smooth. The formed rod can be manual or motorized, while the fluted and smooth are available in manual. Each rod style is currently available in a 1.125," 1.5," and 2.0" diameters.



## VARIETY OF CONTROL AND POWER OPTIONS

Control methods include pendant control, handheld remote control, Current Touch (capacitive touch) remote control, and light and temperature sensor control. With Zigbee rods, there is also phone app control, voice control, and third-party integration. Power options include Alkaline, Lithium Ion, Low Voltage Wall Plug, and Hardwire. Power supplies are housed in the Pendant, and are interchangeable.



## AESTHETIC FOR BOTH FUNCTION AND FORM

The formed groove spirals present an elegant aesthetic, while also providing a means to drive the drapery open and closed on motorized units, creating a marriage of function and form.



## CONTROL GROUPS OF DRAPERY

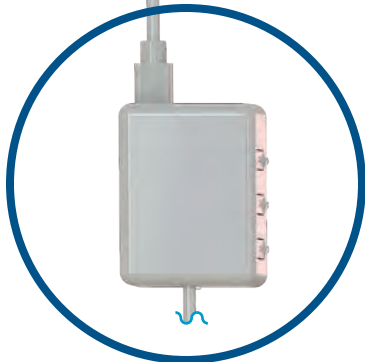
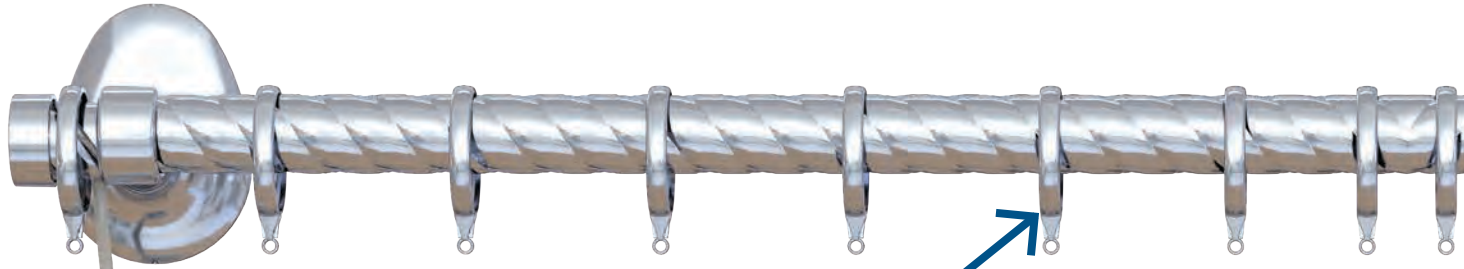
The grouping option allows users to move one curtain by pendant activation and send every other curtain in the group to that position.



## "CURTAIN SAVER" OBSTRUCTION SENSING

Revolve includes a feature for obstruction detection. For example, if the curtain is held while moving, the motor will stop before any damage occurs to the curtain.

# REVOLVE OVERVIEW



Wall Mount Sensors  
Pg. 6



Rings  
Pg. 10 & 11



Pendantless  
Pg. 17



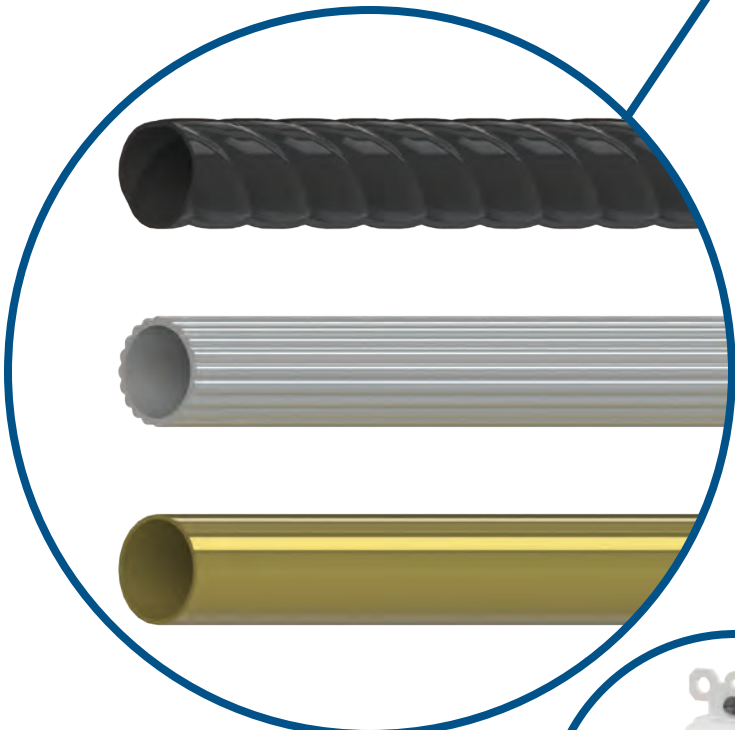
Pendant/Power Options  
Pg. 17



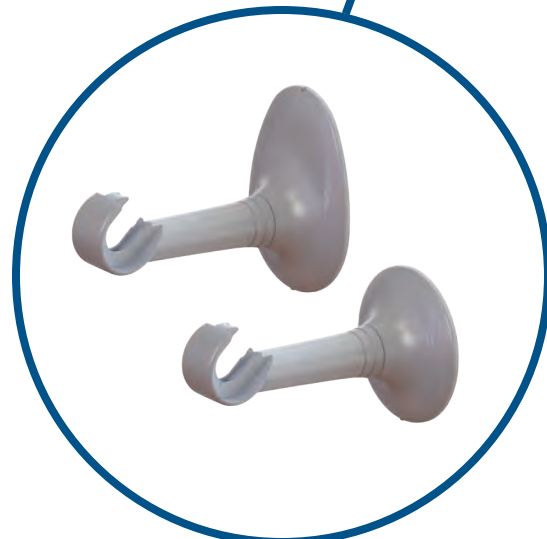
Voice  
Pg. 20



Zigbee Bridge  
Pg. 20



Rods  
Pg. 7



Brackets  
Pg. 12 - 15



*Coming Soon*

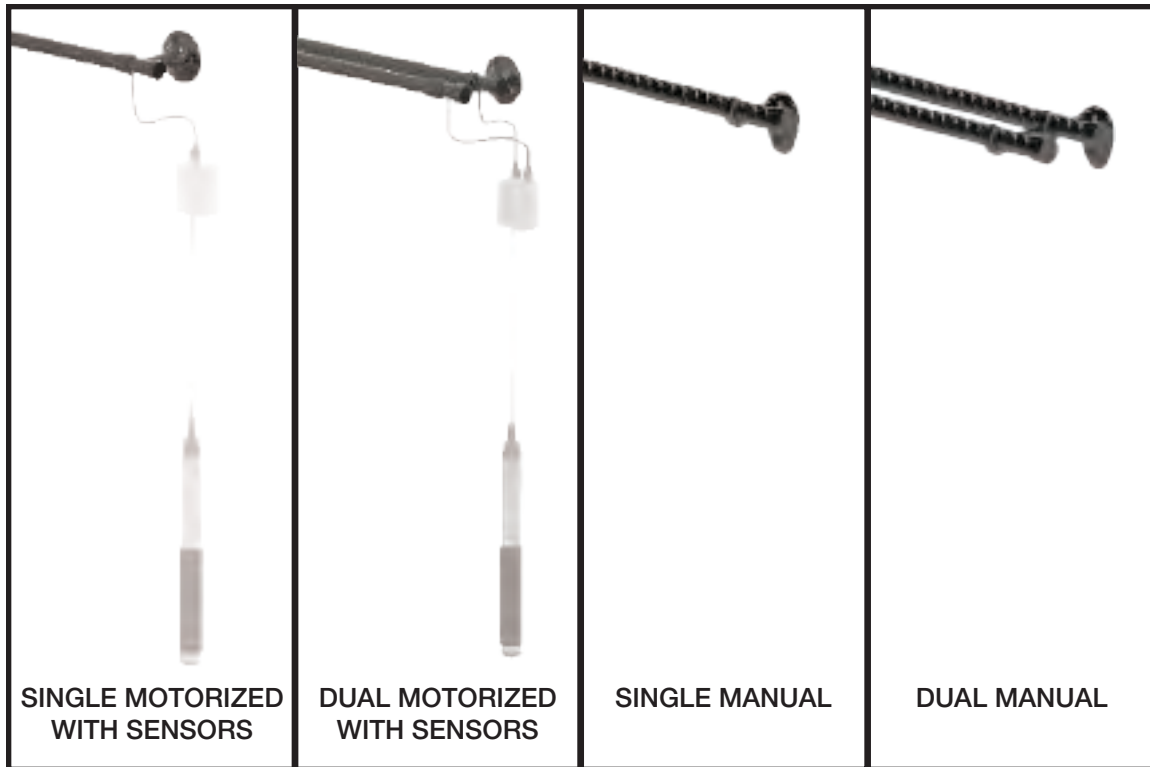
Hardwire Switch  
Pg. 18



Remote Controls  
Pg. 18 & 19

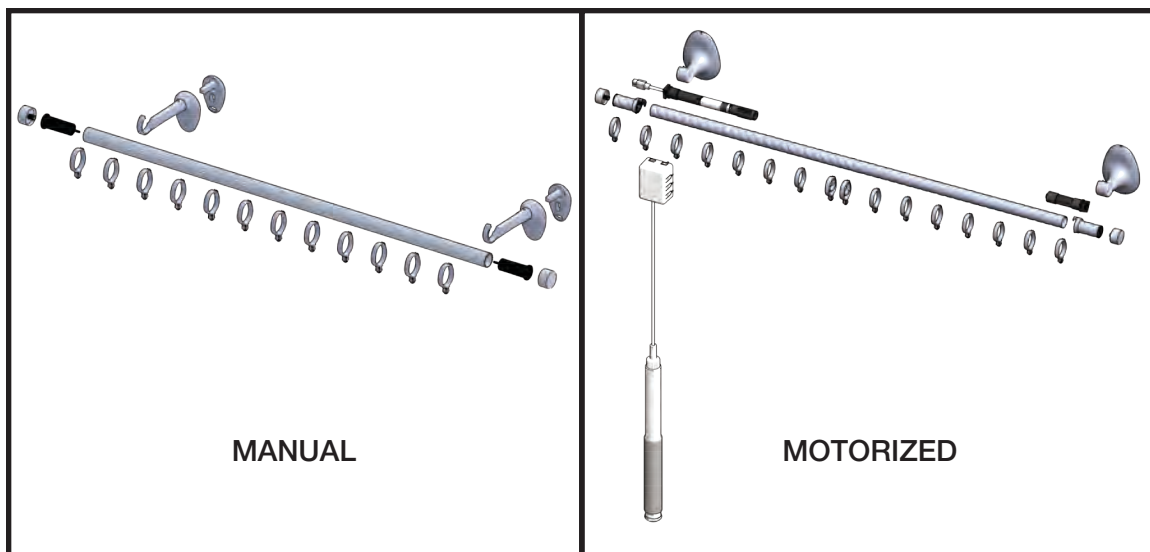
Revolve is the only truly motorized drapery rod on the market today. Using patented helical features, Revolve rotates, traversing anti-waver rings along the length of the rod to open and close the curtain. Revolve is compatible with Pinch Pleat, Grommet, and Flat Panel drapery. Connected Ripple Rings allow users to achieve a uniform ripple look using a standard flat panel curtain. Communication protocol and control options, alongside a variety of power options, makes Revolve a premier option for rod motorization.

## REVOLVE APPLICATIONS



Revolve rods are available in both single and dual applications. Unique to Current Luxury dual devices is patent pending technology allowing the need for only a single control board and power supply in dual systems. For both single and dual rods, the control board is housed in the Sensor Box alongside the integrated light and temperature sensors.

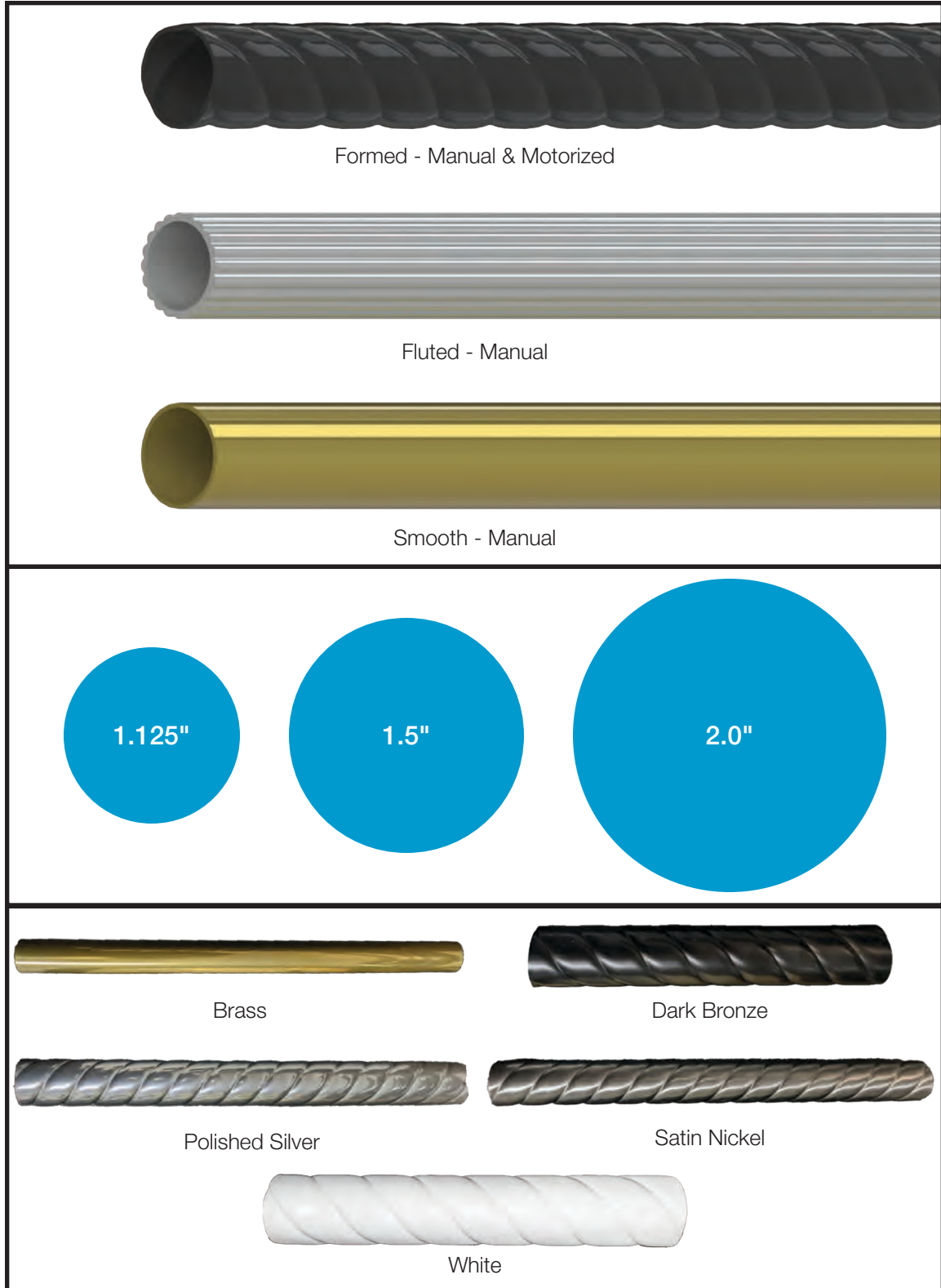
## REVOLVE ASSEMBLY



Revolve ships as an assembled unit, customized per application needs.

## ROD STYLES

Revolv rods are available in three shapes: formed, fluted, and smooth. The formed rod can be manual or motorized, while the fluted and smooth are available in manual. Each rod style is currently available in a 1.125," 1.5," and 2.0" diameters.



## CURTAIN STYLES

Revolve Rods offer three drapery applications: Pinch Pleat, Grommet, and Pin Ripple. Both Rings and Ripple Rings are available in manual and motorized.

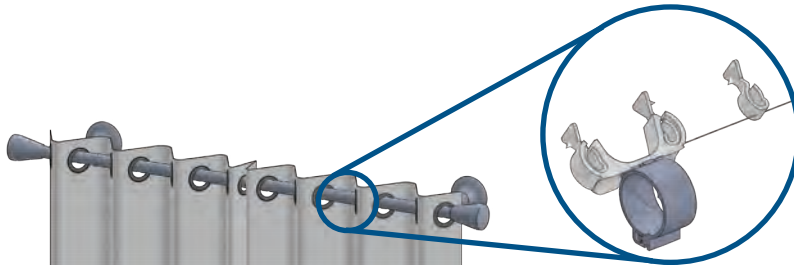
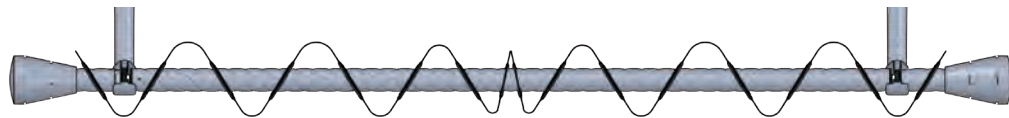
### PINCH PLEAT

This standalone ring option is best used on pinch pleat curtains, these no-waver rings travel along the length of the rod as you move the curtain.



### GROMMET

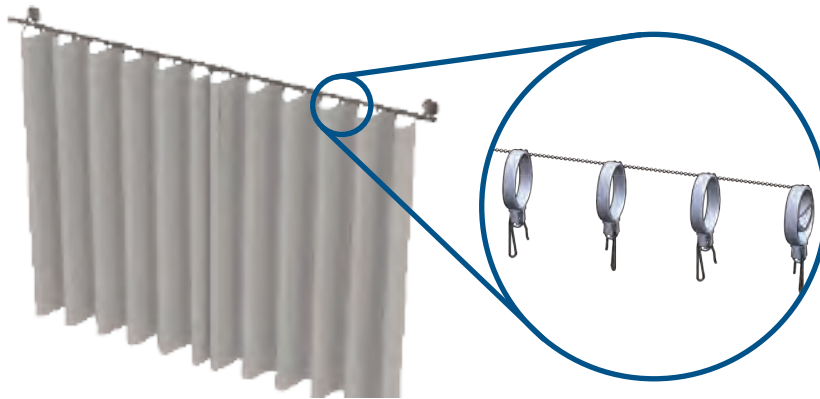
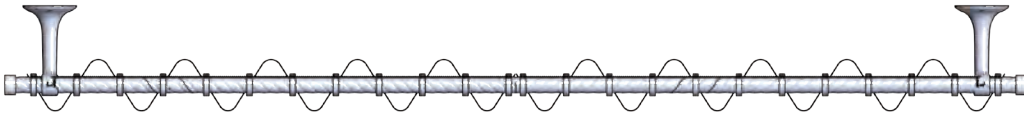
On the grommet rod, the grommet driver and attached clips control spacing and uniformity in the fold. Only available in 1.125" formed rod.





### FLAT PANEL (PIN RIPPLE)

On these "ripple rings," the chain controls the maximum distance possible in between each ring, while our patented ring design allows installers to alternate pin direction, creating the ability to form a ripple look using a flat panel curtain on a rod.



## RINGS

Revolve rings are designed specifically to eliminate the "waving" of a traditional ring as they traverse along the rod, improving aesthetics and reducing clatter. Rings are currently available in a flat profile. Ring finishes available in black, clear, satin nickel, and white.

### NO-WAVER ASYMMETRIC RINGS



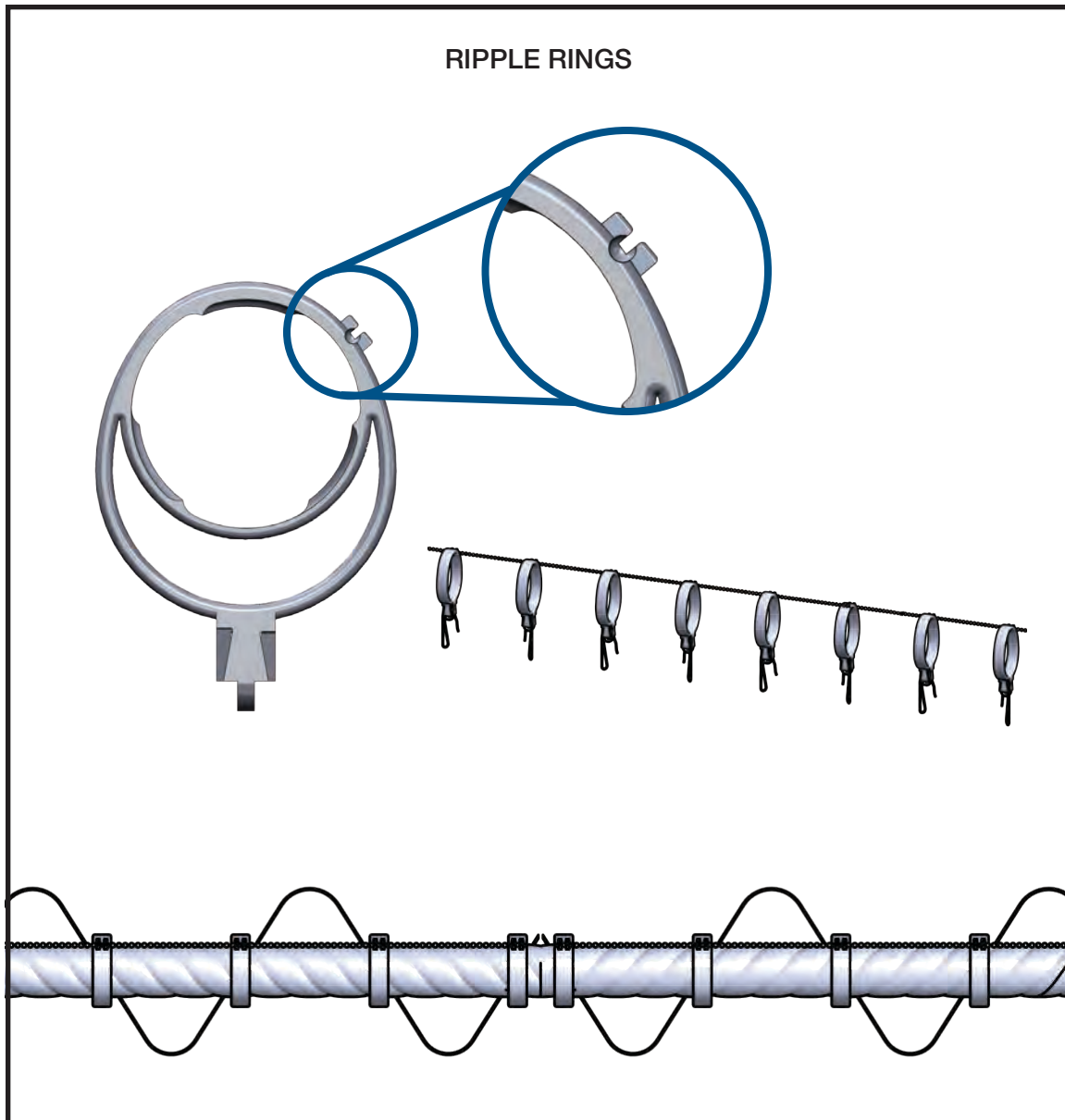
Drive Ring

Drive Rings, or "Drivers," grip the rod and ride along the inside of the formed grooves as the rod turns to move the curtain back and forth. Idler rings install behind the drivers.

Idler rings install behind the drivers. In manual applications, only idler rings are used.



Rings include a feature for a snap-in ball chain to connect rings together for a consistent ripple effect on a flat panel curtain. This chain comes pre-installed on Ripple Rings to save installers time in the field, but can be installed later on standalone rings if desired.



## REVOLVE BRACKETS

Revolve brackets are available in two base shapes: Round and Teardrop, and a variety of projections. The teardrop brackets can be installed in either orientation based on the desired look of the install.



Bracket wall plates are universal across the Revolve program and allow for adjustment.

### ROUND AND ASYMMETRIC BRACKETS FOR 1.125" DIAMETER RODS



3.25" PROJECTION

5.5" PROJECTION



7.0" PROJECTION

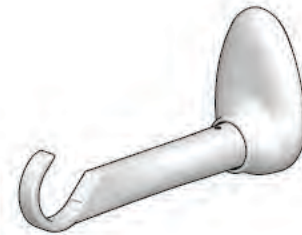


DUAL PROJECTION

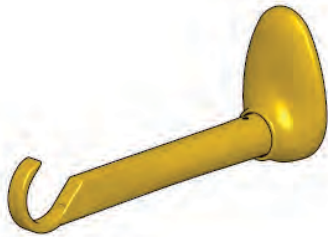
### ASYMMETRIC CENTER BRACKETS FOR MOTORIZED 1.125" DIAMETER RODS



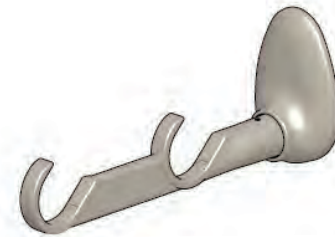
3.25" PROJECTION



5.5" PROJECTION



7.0" PROJECTION



DUAL PROJECTION

These center brackets are used for motorized applications. Most center draw rods needing a center support will be spliced, using the proprietary method developed to enhance strength in these applications.

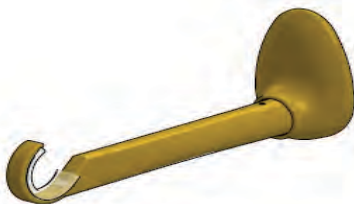
### BRACKETS FOR MANUAL 1.125" DIAMETER RODS



3.25" PROJECTION



5.5" PROJECTION



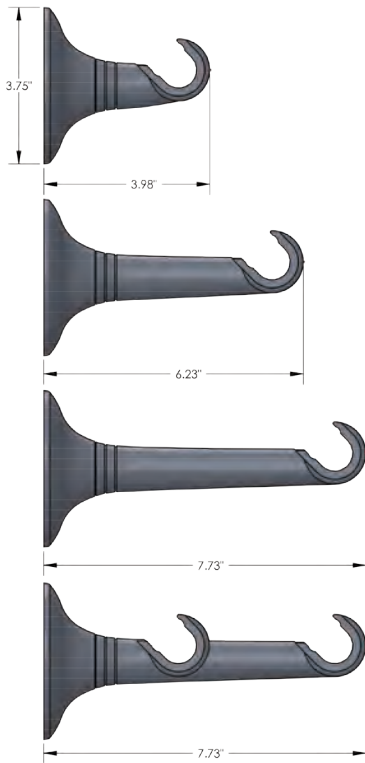
7.0" PROJECTION



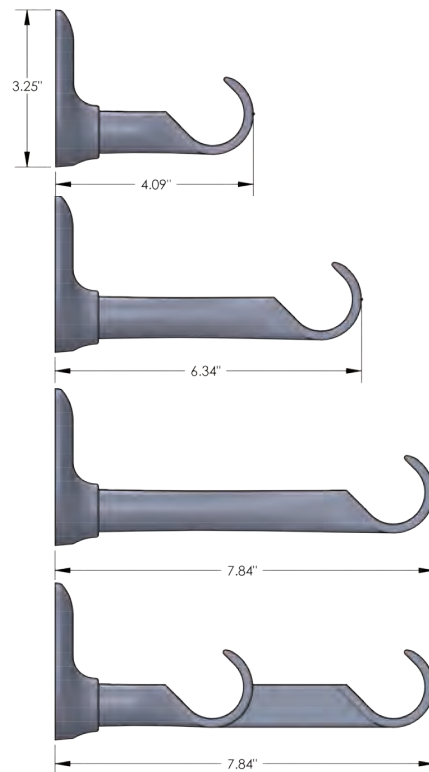
DUAL PROJECTION

Manual brackets have been developed to work with all three rod styles and include a snap-in feature for easy installation. Rods simply snap into the bracket, and the friction fit prevents the rods from sliding horizontally or popping out of the bracket accidentally.

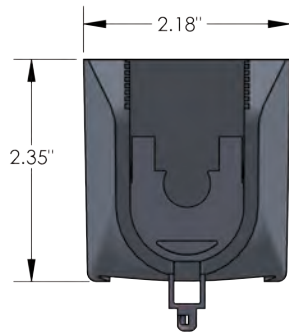
### 1.125" DIAMETER BRACKETS



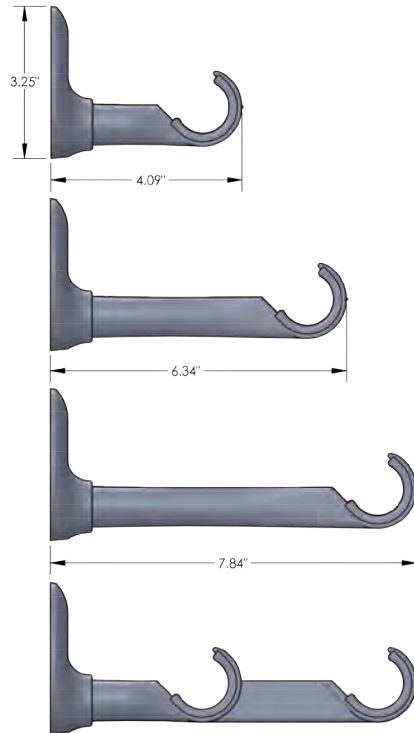
**BRACKETS**



**CENTER BRACKETS**

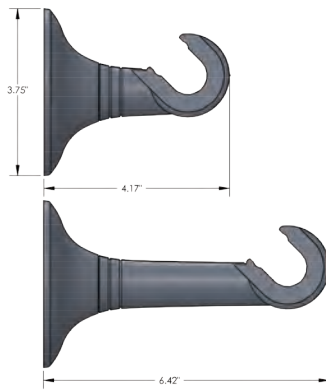


**INSIDE BRACKET**

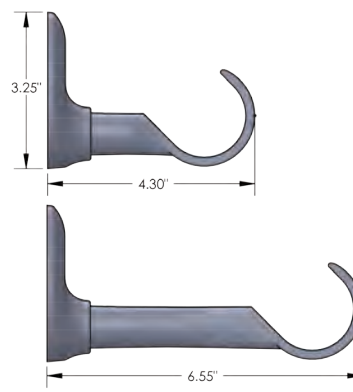


**MANUAL BRACKETS**

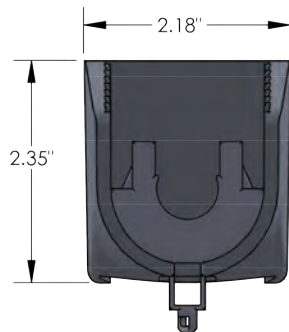
### 1.5" DIAMETER BRACKETS



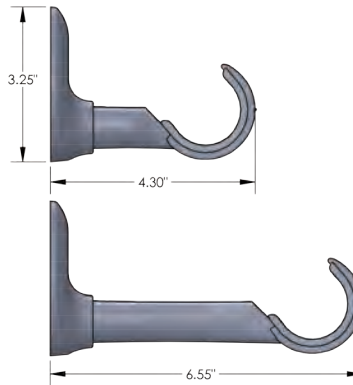
**BRACKETS**



**CENTER BRACKETS**

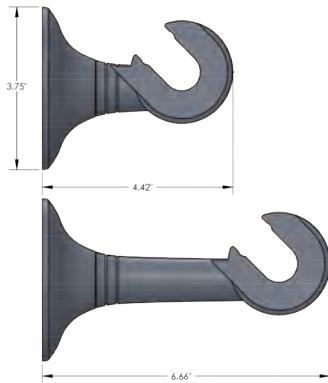


**INSIDE BRACKET**

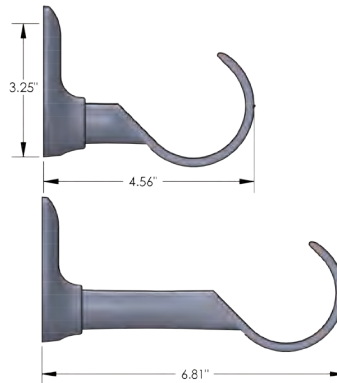


**MANUAL BRACKETS**

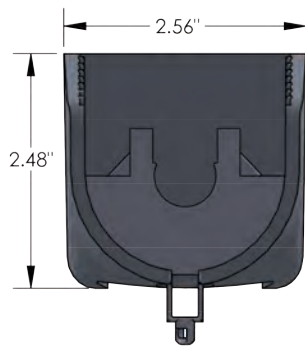
### 2.0" DIAMETER BRACKETS



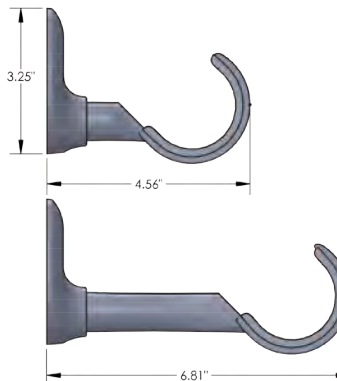
**BRACKETS**



**CENTER BRACKETS**

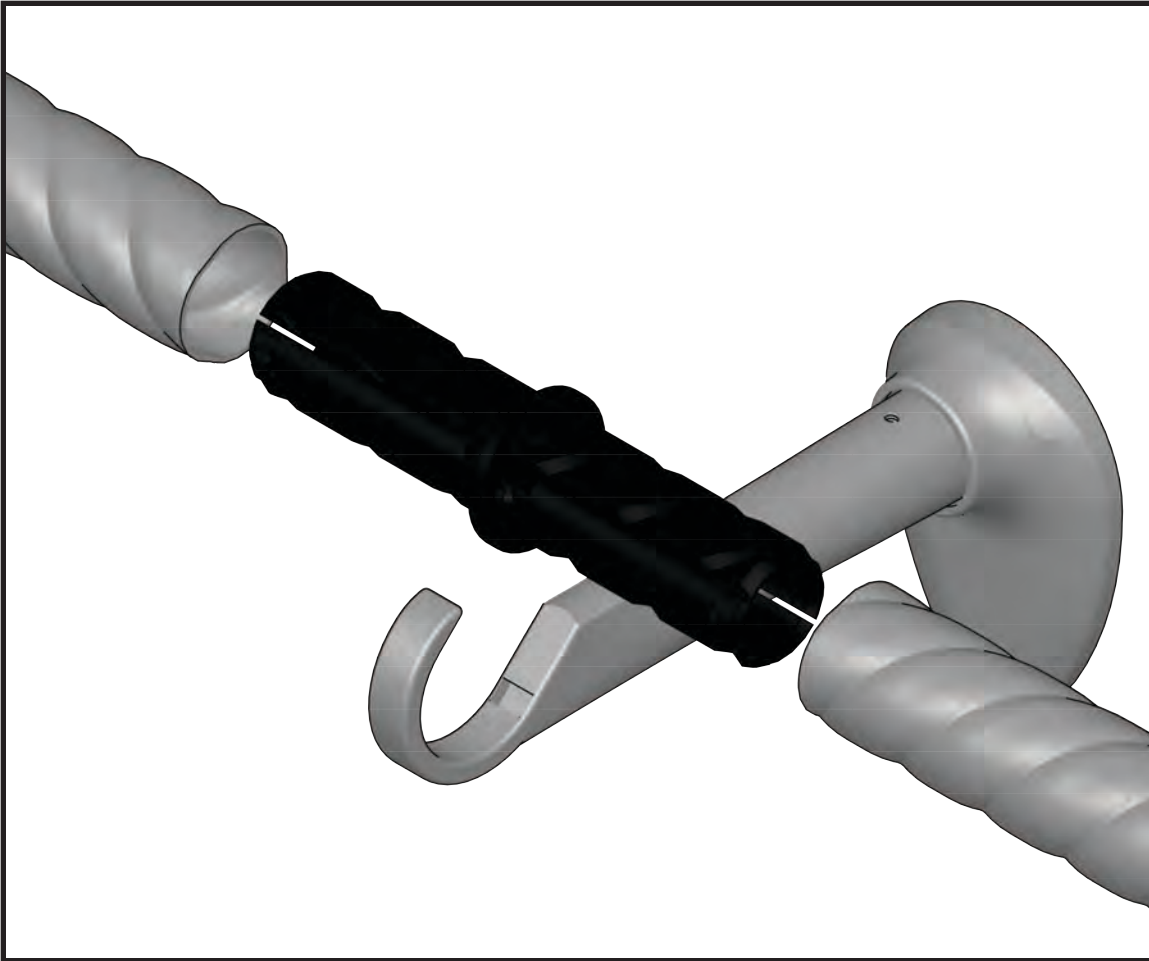


**INSIDE BRACKET**



**MANUAL BRACKETS**

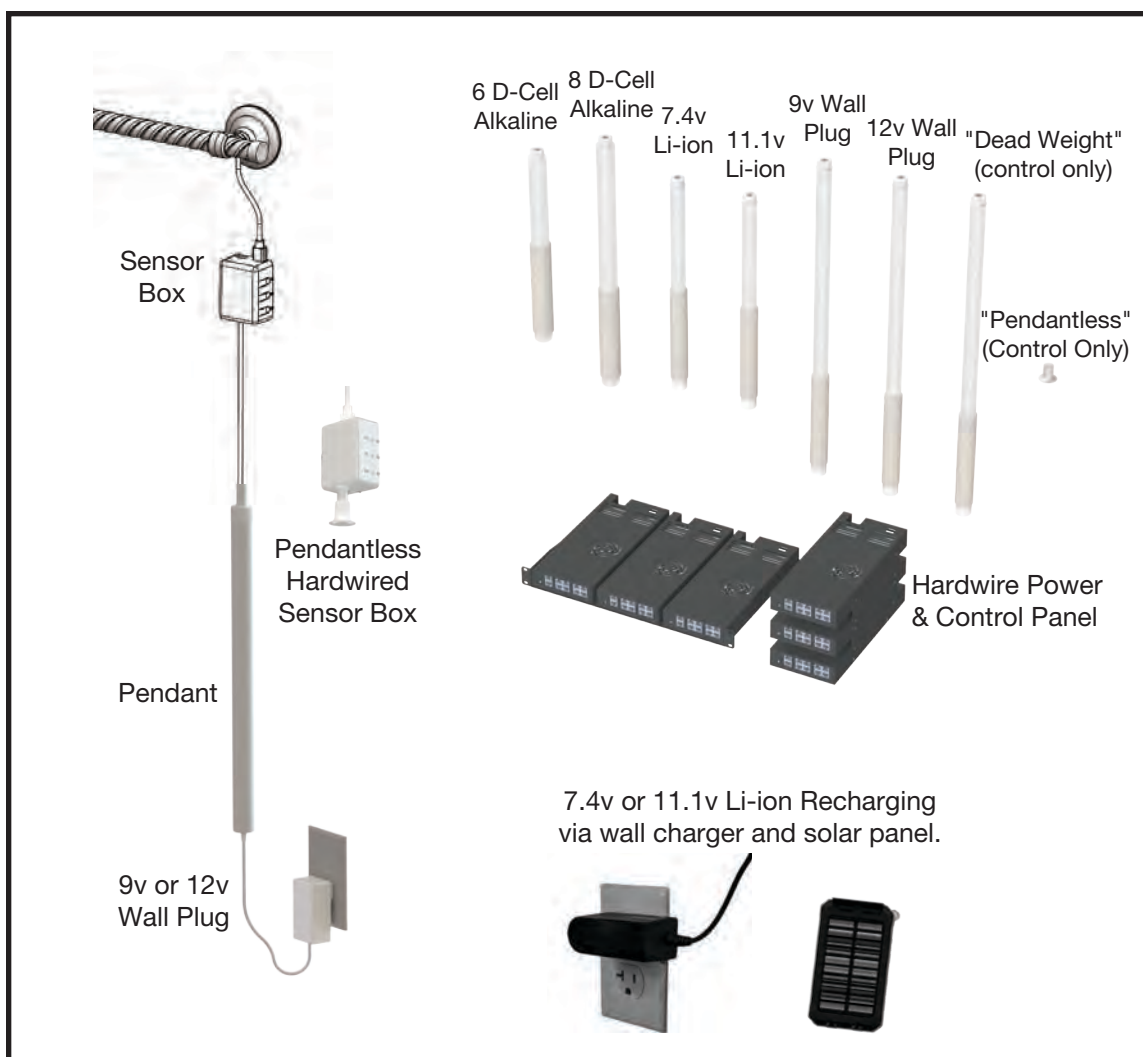
## SPLICE



This proprietary splicing system allows the rods to be shipped in smaller packages, which are easier to handle, deliver, ship, and manage on the installation site. Extensive testing proves this splice to enhance both strength and stability.



# POWER



In most cases, the Pendant encases the desired power supply and connects to sensor box. Pendants come with a sleeve to enhance the aesthetics and provide a soft grip. The Pendant or Pendantless grip and sensor box are hidden behind the stack back of drapery.

Power options include:

<b>ALKALINE</b>	6 D Cell Pendant
<b>ALKALINE</b>	8 D Cell Pendant
<b>RECHARGEABLE</b>	7.4v Li-Ion Pendant
<b>RECHARGEABLE</b>	11.1v Li-Ion Pendant
<b>LOW VOLTAGE</b>	9v Wall Plug Pendant
<b>LOW VOLTAGE</b>	12v Wall Plug Pendant
<b>HARDWIRED</b>	Dead Weight or Pendantless

Rods using higher voltage power supplies will have a faster average linear speed than lower voltages. For longer rods, choosing the higher voltage is recommended.

For hardwired applications, a power and control panel is required, the control panel services up to 8 Current Luxury devices.

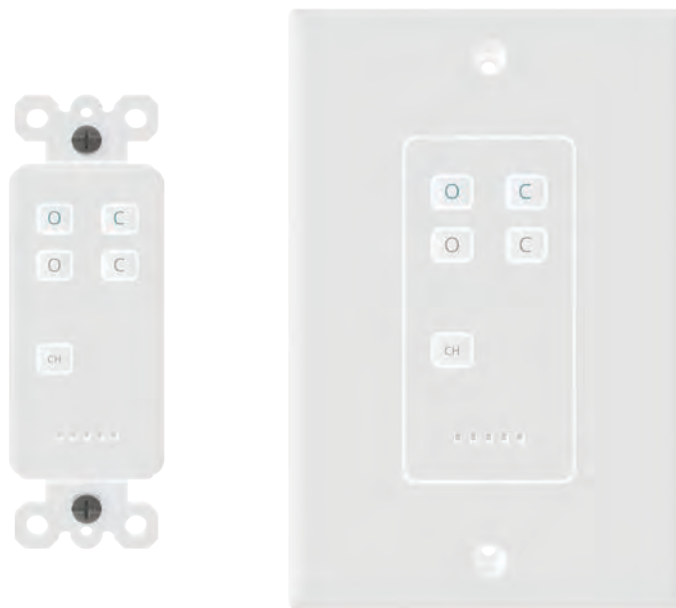
### HANDHELD REMOTE CONTROL



APPROXIMATE ACTUAL SIZE

*Coming Soon*

### HARDWIRE WALL SWITCHES



### CURRENT TOUCH REMOTE CONTROL

Wall Mount

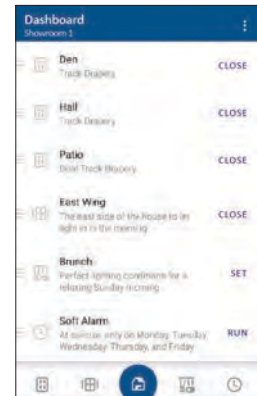


Tabletop / Desktop



APPROXIMATE ACTUAL SIZE

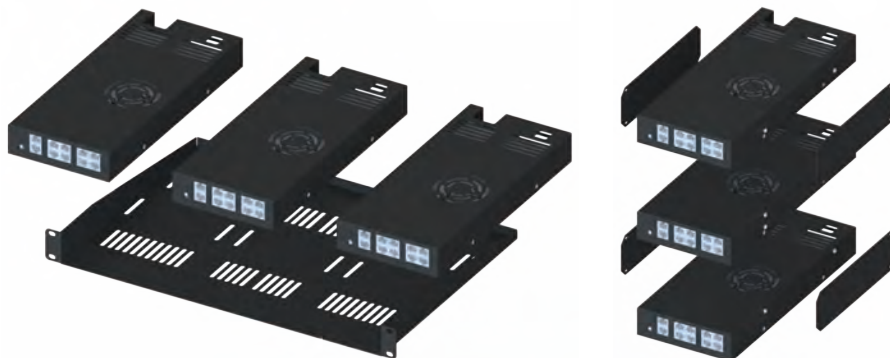
### CURRENT LUXURY APP



### AMAZON ALEXA / GOOGLE OFFICE ASSISTANT

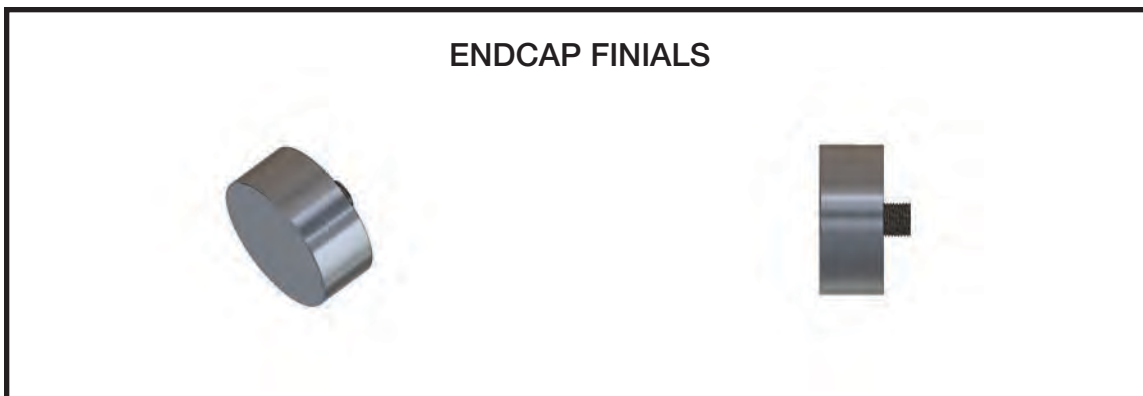


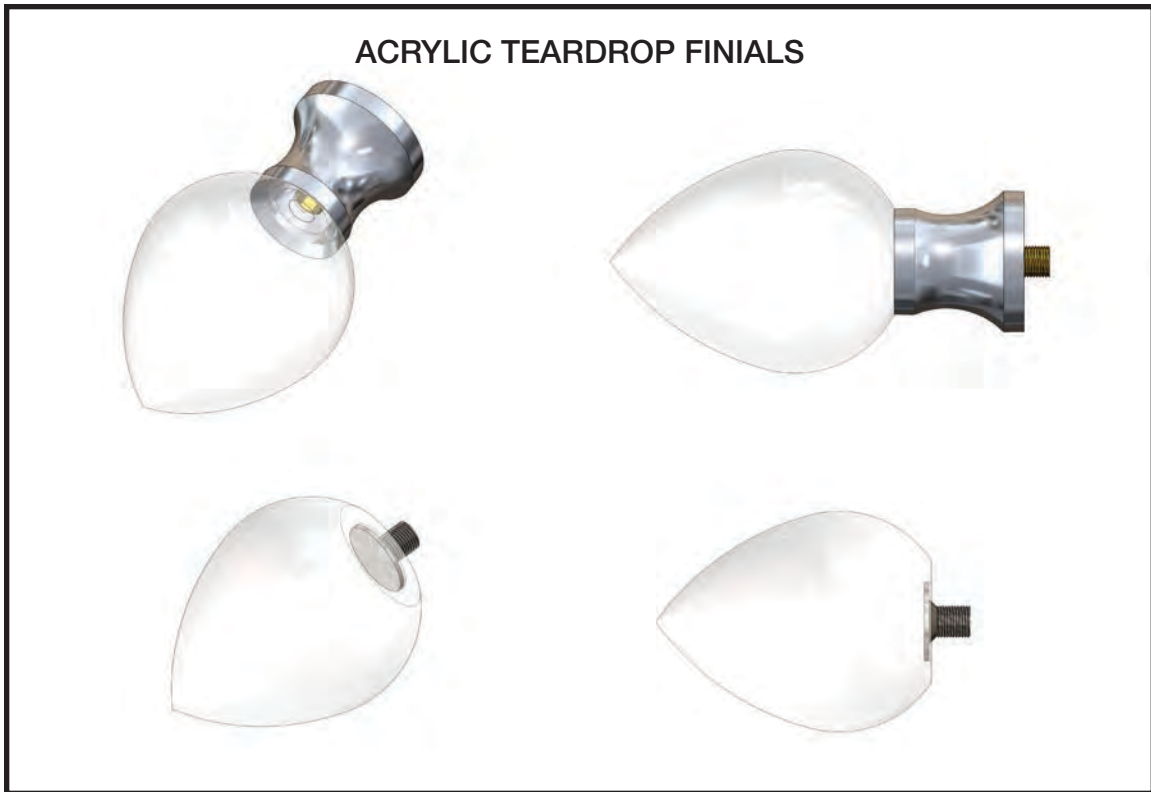
### THIRD-PARTY INTEGRATION

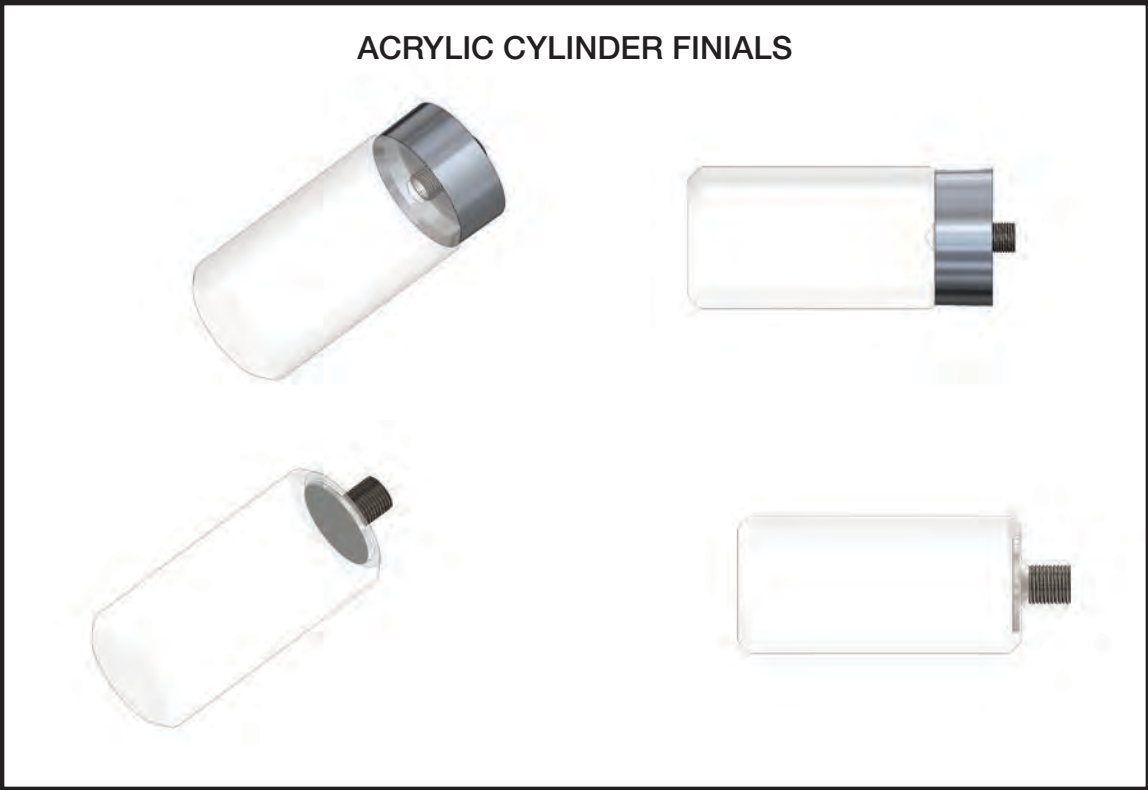


## FINIAL OPTIONS

As part of the Revolve program, several finial options are offered in both finish matched aluminum as well as acrylic, with the acrylic options available with or without a ferrule. Finials attach to a finial extension, which then slots into the bracket for a seamless yet functional design.







# CURRENT

*Luxury*

03/2022

